

DP8228/DP8228M/DP8238/DP8238M System Controller and Bus Driver

General Description

The DP8228/DP8228M, DP8238/DP8238M are system controller/bus drivers contained in a standard, 28-pin dual-in-line package. The chip, which is fabricated using Schottky Bipolar technology, generates all the read and write control signals required to directly interface the memory and input/output components of the 8080A microcomputer family. The chip also provides drive and isolation for the bidirectional data bus of the 8080A microprocessor. Data bus isolation enables the use of slower memory and input/output components in a system, and provides for enhanced system noise immunity.

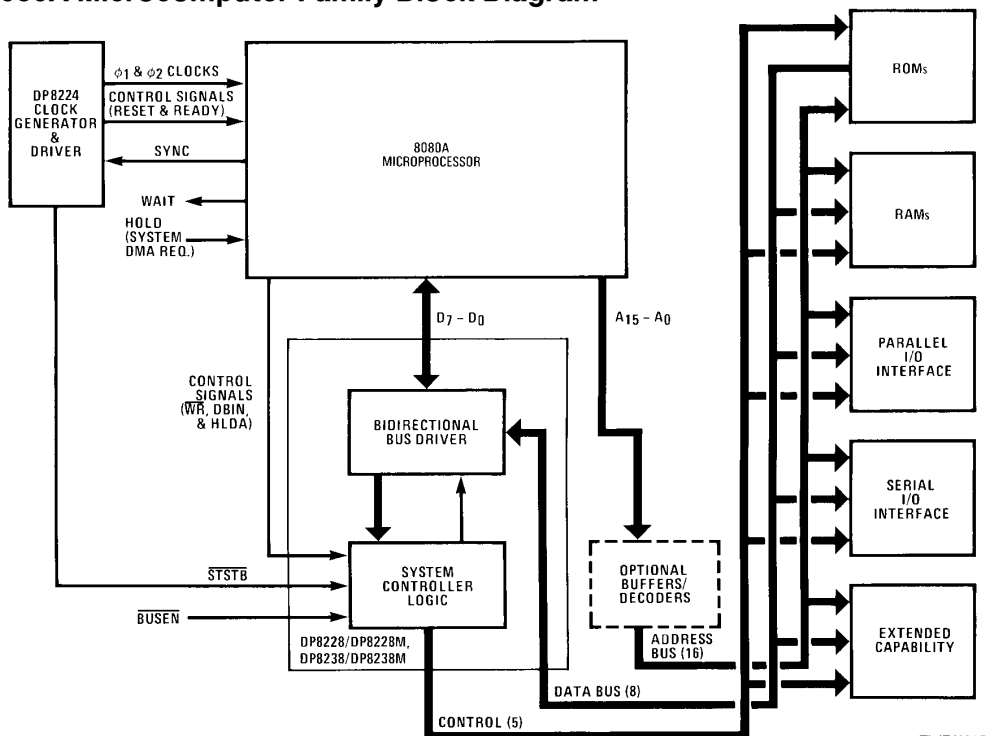
A user-selected signal-level interrupt vector (RST 7) is provided by the device for use in the interrupt structure of small systems that need only one basic vector. No additional components (such as an interrupt instruction port) are required to use the single interrupt vector in these systems. The devices also generate an Interrupt Acknowledge (\overline{INTA}) control signal for each byte of a multibyte CALL instruction

when an interrupt is acknowledged by the 8080A. This feature permits the use of a multilevel priority interrupt structure in large, interrupt-driven systems.

Features

- Single chip system controller and bus driver for 8080A Microcomputer Systems
- Allows use of multibyte CALL instructions for Interrupt Acknowledge
- Provides user-selected single-level interrupt vector (RST 7)
- Provides isolation of data bus
- Supports a wide variety of system bus structures
- Reduces system component count
- DP8238/DP8238M provides advanced Input/Output Write and Memory Write control signals for large system timing control

8080A Microcomputer Family Block Diagram



TRI-STATE® is a registered trademark of National Semiconductor Corporation.

Absolute Maximum Ratings

If Military/Aerospace specified devices are required, please contact the National Semiconductor Sales Office/Distributors for availability and specifications.

Storage Temperature	-65°C to +150°C
Supply Voltage, V_{CC}	-0.5 to +7V
Input Voltage	-1.5V to +7V
Output Current	100 mA
Maximum Power Dissipation* at 25°C	
Cavity Package	2179 mW
Molded Package	2361 mW

*Derate cavity package 14.5 mW/°C above 25°C; derate molded package 18.9 mW/°C above 25°C.

Operating Conditions

	Min	Max	Units
Supply Voltage (V_{CC})			
DP8228M, DP8238M	4.50	5.50	V_{DC}
DP8228, DP8238	4.75	5.25	V_{DC}
Operating Temperature (T_A)			
DP8228M, DP8238M	-55	+125	°C
DP8228, DP8238	0	+70	°C

Note: Maximum ratings indicate limits beyond which permanent damage may occur. Continuous operation at these limits is not intended and should be limited to those conditions specified under DC electrical characteristics.

Electrical Characteristics

Min $\leq T_A \leq$ Max, Min $\leq V_{CC} \leq$ Max, unless otherwise noted

Symbol	Parameter		Conditions	Min	Typ (Note 1)	Max	Units	
V_C	Input Clamp Voltage, All Inputs		$V_{CC} = \text{Min}, I_C = -5 \text{ mA}$		0.6	-1.0	V	
I_F	Input Load Current	STSTB	$V_{CC} = \text{Max}$ $V_F = 0.45\text{V}$ for DP8228, DP8238 $V_F = 0.40\text{V}$ for DP8228M, DP8238M			500	μA	
		D2 and D6				750	μA	
		D0, D1, D4, D5 and D7				250	μA	
		All Other Inputs				250	μA	
I_R	Input Leakage Current	DB0-DB7	$V_{CC} = \text{Max}, V_R = V_{CC}$			20	μA	
		All Other Inputs				100	μA	
V_{TH}	Input Threshold Voltage, All Inputs		$V_{CC} = 5\text{V}$	0.8		2.0	V	
I_{CC}	Power Supply Current		$V_{CC} = \text{Max}$	DP8228, DP8238		185	230	mA
				DP8228M, DP8238M		160	230	mA
V_{OL}	Output Low Voltage	D0-D7	$V_{CC} = \text{Min}, I_{OL} = 2 \text{ mA}$	DP8228M, DP8238M		0.50	V	
				DP8228, DP8238		0.45	V	
		All Other Outputs		DP8228M, DP8238M		0.50	V	
				DP8228, DP8238		0.45	V	
V_{OH}	Output High	D0-D7	$V_C = \text{Min}, I_{OL} = -10 \mu\text{A}$	DP8228M, DP8238M	3.3	3.8	V	
				DP8228, DP8238	3.6	3.8	V	
		All Other Outputs		$V_{CC} = \text{Min}, I_{OH} = -1 \text{ mA}$		2.4	3.8	V
I_{OS}	Short Circuit Current, All Outputs		$V_{CC} = 5\text{V}, V_O = 0\text{V}$	15		90	mA	
$I_{O(OFF)}$	OFF State Output Current All Control Outputs		$V_{CC} = \text{Max}, V_O = V_{CC}$			100	μA	
			$V_{CC} = \text{Max}, V_O = 0.45\text{V}$			-100	μA	
I_{INT}	INTA Current		(See Test Conditions, Figure 3)			5	mA	

Note 1: Typical values are for $T_A = 25^\circ\text{C}$ and typical supply voltages.

Capacitance* $V_{BIAS} = 2.5V, V_{CC} = 5.0V, T_A = 25^\circ C, f = 1\text{ MHz}$

Symbol	Parameter	Min	Typ (Note 1)	Max	Units
C_{IN}	Input Capacitance		8	12	pF
C_{OUT}	Output Capacitance Control Signals		7	15	pF
I/O	I/O Capacitance (D or DB)		8	15	pF

*This parameter is periodically sampled and not 100% tested.

Switching Characteristics $\text{Min} \leq V_{CC} \leq \text{Max}, \text{Min} \leq T_A \leq \text{Max}$

Symbol	Parameter	Conditions	DP8228M, DP8238M		DP8228, DP8238		Units
			Min	Max	Min	Max	
t_{PW}	Width of Status Strobe		25		22		ns
t_{SS}	Set-Up Time, Status Inputs D0–D7		8		8		ns
t_{SH}	Hold Time, Status Inputs D0–D7		5		5		ns
t_{DC}	Delay from \overline{STSTB} to Any Control Signal	(Figure 2)	20	75	20	60	ns
t_{RR}	Delay from DBIN to Control Outputs	(Figure 2)		30		30	ns
t_{RE}	Delay from DBIN to Enable/ Disable 8080 Bus	(Figure 1)		45		45	ns
t_{RD}	Delay from System Bus to 8080 Bus During Read	(Figure 1)		45		30	ns
t_{WR}	Delay from \overline{WR} to Control Outputs	(Figure 2)	5	60	5	45	ns
t_{WE}	Delay to Enable System Bus DB0–DB7 after \overline{STSTB}	(Figure 2)		30		30	ns
t_{WD}	Delay from 8080 Bus D0–D7 to System Bus DB0–DB7 During Write	(Figure 2)	5	40	5	40	ns
t_E	Delay from System Bus Enable to System Bus DB0–DB7	(Figure 2)		30		30	ns
t_{HD}	HLDA to Read Status Outputs	(Figure 2)		25		25	ns
t_{DS}	Set-Up Time, System Bus Inputs to HLDA		10		10		ns
t_{DH}	Hold Time, System Bus Inputs to HLDA		20		20		ns

Test Conditions

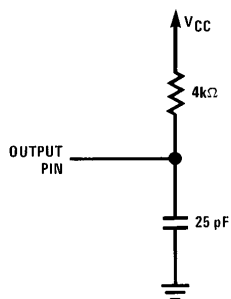


FIGURE 1. Test Load

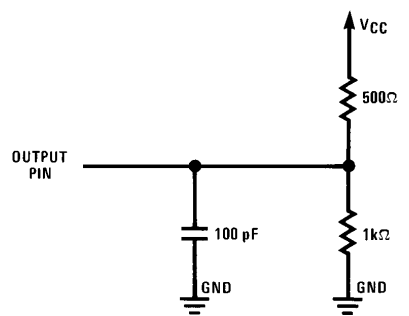


FIGURE 2. Test Load

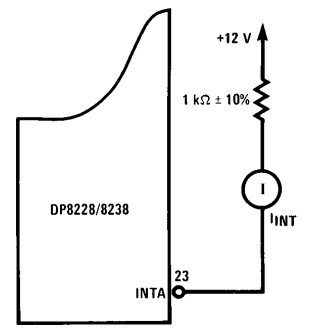
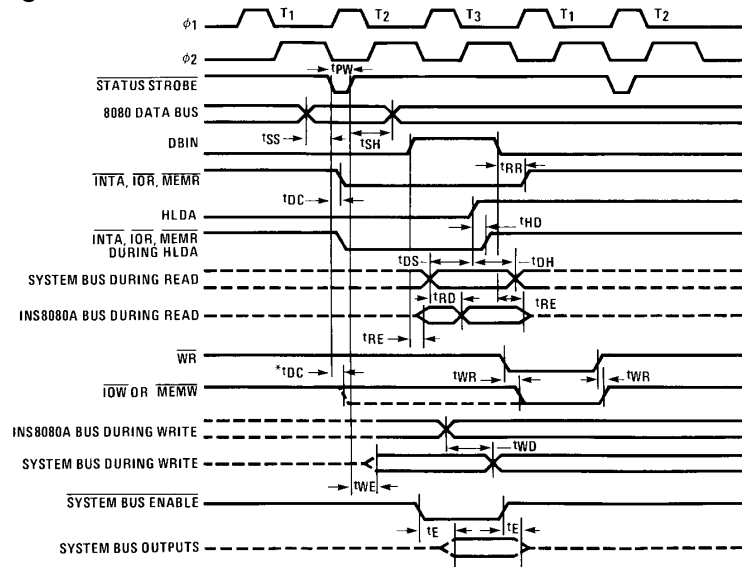


FIGURE 3. INTA Test Circuit
(For RST 7)

Timing Diagram



TL/F/6825-5

VOLTAGE MEASUREMENT POINTS: D₀-D₇ (when outputs) Logic "0" = 0.8V, Logic "0" = 0.8V, Logic "1" = 3.0V. All other signals measured at 1.5V.
*Advanced I/O MEMW for 8238 only.

Functional Pin Definitions

The following describes the function of all of the DP8228/DP8228M, DP8238/DP8238M pinouts. Some of these descriptions reference internal circuits.

INPUT SIGNALS

Status Strobe (\overline{STSTB}): Activated (low) at the start of each new machine cycle. The \overline{STSTB} input is used to store a status word (refer to chart) from the 8080A microprocessor into the internal status latch of the DP8228, DP8238. The status word is latched when the \overline{STSTB} returns to the high state. The 8080A outputs this status word onto its data bus during the first state (SYNC interval) of each machine cycle.

Data Bus In (DBIN): When high, indicates that the 8080A data bus is in the input mode. The DBIN signal is used to gate data from memory or an input/output device onto the data bus.

Write (\overline{WR}): When low, indicates that the data on the 8080A data bus are stable for WRITE memory or output operation.

Hold Acknowledge (HLDA): When high, indicates that the 8080A data and address buses will go to their high impedance state. When in the data bus read mode, DBIN input in the high state, a high HLDA input will latch the data bus information into the driver circuits and gate off the applicable control signal $\overline{I/O}$, MEMR, or INTA (return to the output high state).

Bus Enable (\overline{BUSEN}): Asynchronous DMA input to the internal gating array. When low, normal operation of the internal bidirectional bus driver and gating array occurs. When high, the bus driver and gating array are driven to their high impedance state.

V_{CC} Supply: +5V.

Ground: 0V reference.

OUTPUT SIGNALS

Memory Read (\overline{MEMR}): When low, signals data to be loaded in from memory. The \overline{MEMR} signal is generated by strobing in status word 1, 2, or 4. (Refer to status word chart.)

Memory Write (\overline{MEMW}): When low, signals data to be stored in memory. The \overline{MEMW} signal is generated for the DP8238 by strobing in status word 3 or 5. (Refer to status word chart.) For the DP8228, the \overline{MEMW} signal is generated by gating a low-level \overline{WR} input with the strobed in status word 3 or 5.

Input/Output Read ($\overline{I/O}$): When low, signals data to be loaded in from an addressed input/output device. The $\overline{I/O}$ signal is generated by strobing in status word 6.

Input/Output Write ($\overline{I/O}$): When low, signals data to be transferred to an addressed input/output device. The $\overline{I/O}$ signal for the DP8238 is generated by strobing in status word 7. For the DP8228 the $\overline{I/O}$ signal is generated by gating in a low-level \overline{WR} input with the strobed in status word 7.

Interrupt Acknowledge (\overline{INTA}): When low, indicates that an interrupt has been acknowledged by the 8080A microprocessor. The \overline{INTA} signal is generated by strobing in status word 8 or 10.

Signal Level Interrupt (RST 7): When the \overline{INTA} output is tied to 12V through a 1 k Ω resistor, strobing in status word 8 or 10 will cause the CPU data bus outputs, when active, to go to the high state.

INPUT/OUTPUT SIGNALS

CPU Data (D₇-D₀) Bus: This bus comprises eight TRI-STATE[®] input/output lines that connect to the 8080A microprocessor. The bus provides bidirectional communica-

Functional Pin Definitions (Continued)

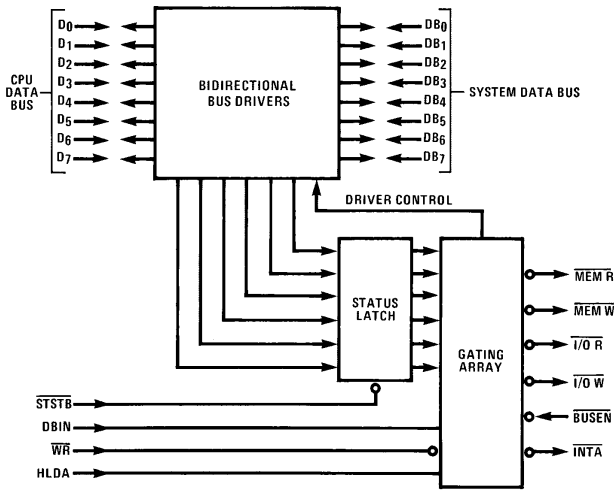
tion between the CPU, memory, and input/output devices for instructions and data transfers. A status word (which describes the current machine cycle) is also outputted on this data bus during the first microcycle of each machine cycle (SYNC = logic 1).

System Data (DB₇-DB₀) Bus: This bus comprises eight TRI-STATE input/output lines that connect to the memory and input/output components of the system. The internal bidirectional bus driver isolates the DB₇-DB₀ Data Bus from the D₇-D₀ Data Bus.

Status Word Chart

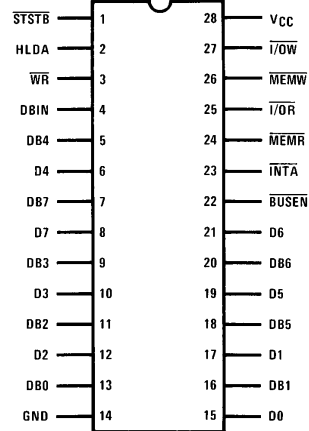
Machine Cycle	Status Word	Data Bus Bit								Control Signal
		D ₇	D ₆	D ₅	D ₄	D ₃	D ₂	D ₁	D ₀	
Instruction Fetch	1	1	0	1	0	0	0	1	0	MEMR
Memory Read	2	1	0	0	0	0	0	1	0	MEMR
Memory Write	3	0	0	0	0	0	0	0	0	MEMW
Stack Read	4	1	0	0	0	0	1	1	0	MEMR
Stack Write	5	0	0	0	0	0	1	0	0	MEMW
Input Read	6	0	1	0	0	0	0	1	0	I/OR
Output Write	7	0	0	0	1	0	0	0	0	I/OW
Interrupt Acknowledge	8	0	0	1	0	0	0	1	1	INTA
Halt Acknowledge	9	1	0	0	0	1	0	1	0	(none)
Interrupt Acknowledge While Halt	10	0	0	1	0	1	0	1	1	INTA

Block and Connection Diagrams



TL/F/6825-6

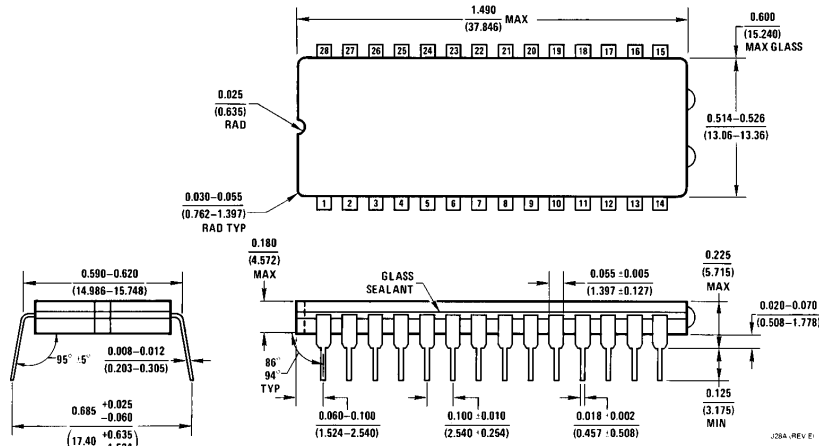
Dual-In-Line Package



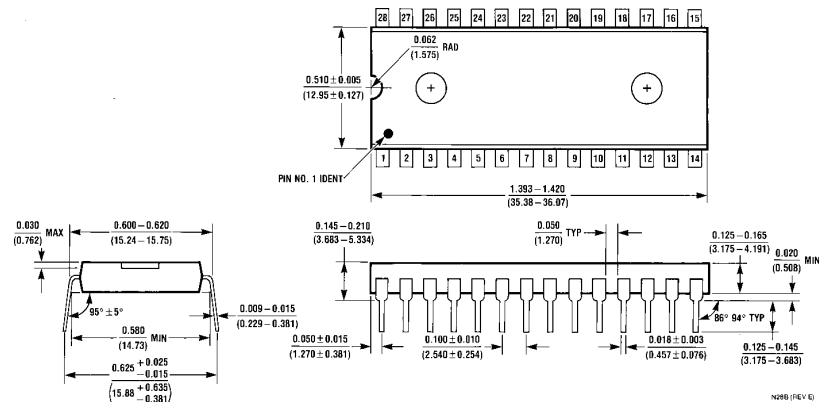
TL/F/6825-7

Order Number DP8228J, DP8228MJ,
DP8228N, DP8238J, DP8238MJ or
DP8238N
See NS Package Number J28A or N28B

Physical Dimensions inches (millimeters)



Ceramic Dual-In-Line Package (J)
Order Number DP8228J, DP8228MJ, DP8238J or DP8238MJ
NS Package Number J28A



Molded Dual-In-Line Package (N)
Order Number DP8228N or DP8238N
NS Package Number N28B

LIFE SUPPORT POLICY

NATIONAL'S PRODUCTS ARE NOT AUTHORIZED FOR USE AS CRITICAL COMPONENTS IN LIFE SUPPORT DEVICES OR SYSTEMS WITHOUT THE EXPRESS WRITTEN APPROVAL OF THE PRESIDENT OF NATIONAL SEMICONDUCTOR CORPORATION. As used herein:

1. Life support devices or systems are devices or systems which, (a) are intended for surgical implant into the body, or (b) support or sustain life, and whose failure to perform, when properly used in accordance with instructions for use provided in the labeling, can be reasonably expected to result in a significant injury to the user.
2. A critical component is any component of a life support device or system whose failure to perform can be reasonably expected to cause the failure of the life support device or system, or to affect its safety or effectiveness.

 <p>National Semiconductor Corporation 1111 West Bardin Road Arlington, TX 76017 Tel: 1(800) 272-9959 Fax: 1(800) 737-7018</p>	<p>National Semiconductor Europe Fax: (+49) 0-180-530 85 86 Email: cnjwge@tevm2.nsc.com Deutsch Tel: (+49) 0-180-530 85 85 English Tel: (+49) 0-180-532 78 32 Français Tel: (+49) 0-180-532 93 58 Italiano Tel: (+49) 0-180-534 16 80</p>	<p>National Semiconductor Hong Kong Ltd. 19th Floor, Straight Block, Ocean Centre, 5 Canton Rd. Tsimshatsui, Kowloon Hong Kong Tel: (852) 2737-1600 Fax: (852) 2736-9960</p>	<p>National Semiconductor Japan Ltd. Tel: 81-043-299-2309 Fax: 81-043-299-2408</p>
--	--	---	---

National does not assume any responsibility for use of any circuitry described, no circuit patent licenses are implied and National reserves the right at any time without notice to change said circuitry and specifications.